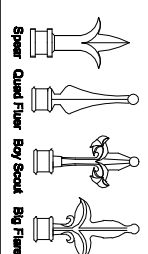
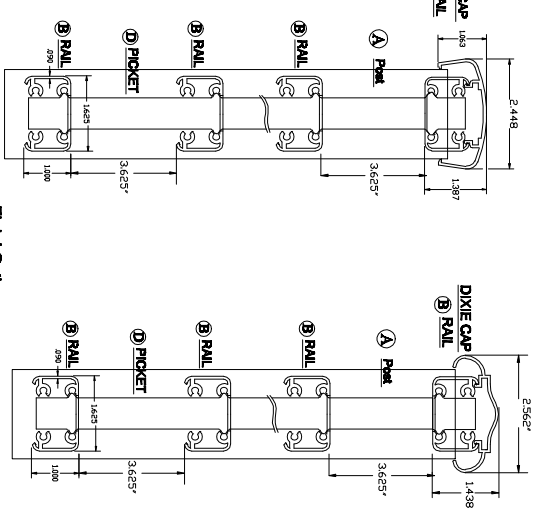
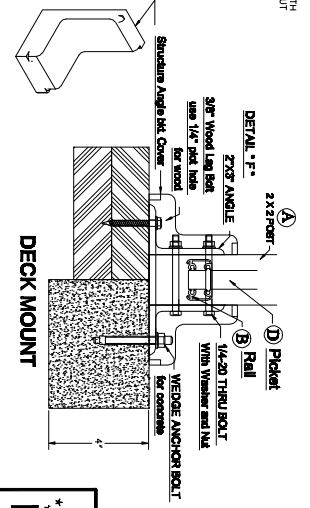
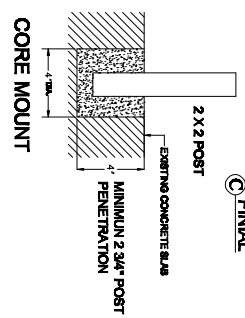
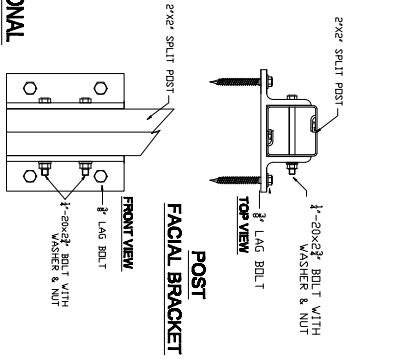
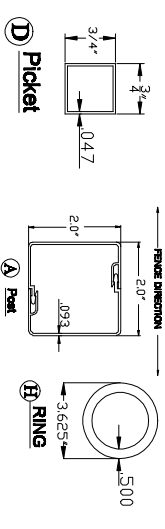


**RAIL SECTION (MODEL P)  
WITH TRADITIONAL CAP**  
ELEVATION  
N.T.S.  
\*RINGS OPTIONAL



MADE IN U.S.A.  
SWEDGE LOCK ALUMINUM, C  
Fence and Railing  
TEL: 888-754-2301 FAX: 888-318-4626

1. ALL FENCE COMPONENTS SHALL BE AS MANUFACTURED BY SWEDGE LOCK ALUMINUM GREENVILLE SOUTH CAROLINA. INSTALLATION SHALL BE IN STRICT ACCORDANCE WITH MANUFACTURERS PLANS AND SPECIFICATIONS.
2. MATERIALS: EXTRUDED ALUMINUM 6063-T6 6061-T6 ALLOY AND TEMPER CONCRETE: 2,500 PSI PEA ROCK SACRETE OR EQUAL.
3. FINISH: ALL ALUMINUM MEMBERS TO RECEIVE AN ACRYLIC ESP FINISH.
4. OVERALL DIMENSIONS SHOWN ARE MANUFACTURERS STANDARD PRODUCTION SIZES.
5. SWEDGE LOCK FENCES MEET OR EXCEED ALL APPLICABLE REQUIREMENTS OF THE 2007 FLORIDA BUILDING CODE & 2009 LATEST SUPPLEMENT.

**GENERAL NOTES**