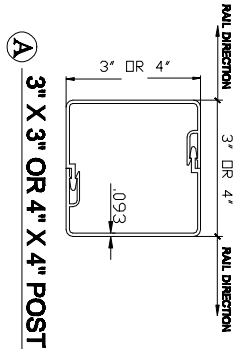
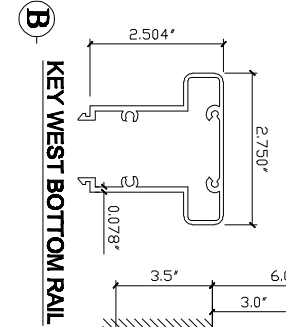
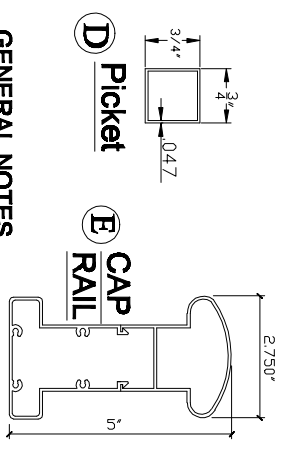


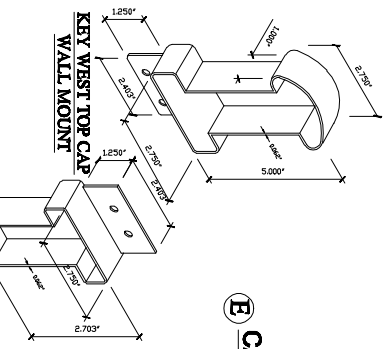
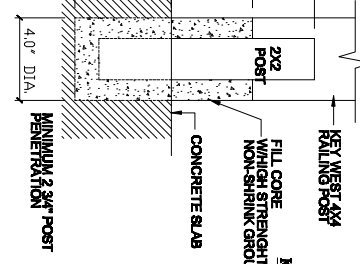
SEE DETAIL "H" FOR CORE MOUNT
RAIL SECTION (MODEL KEY WEST)
 N.T.S.



DETAIL "A"

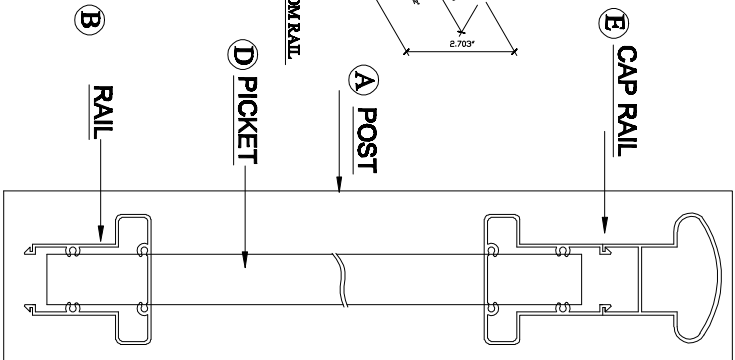


KEY WEST BOTTOM RAIL



KEY WEST TOP CAP WALL MOUNT

KEY WEST BOTTOM RAIL



- GENERAL NOTES**
1. ALL FENCE COMPONENTS SHALL BE AS MANUFACTURED BY SWEDGE LOCK ALUMINUM GENERAL SERVICE CENTER. INSTALLATION SHALL BE IN STRICT ACCORDANCE WITH MANUFACTURER'S PLANS AND SPECIFICATIONS.
 2. 2.500 PSI PER AREA ROCK SURFACE OR EQUIV.
 3. REMOVE ALL ALUMINUM SURFACES TO EXPOSE AND APPLY AN ANTI-RUST TREATMENT TO ALL EXPOSED SURFACES AND REMOVE ALL PARTICULATE RESIDUES OF THE 2000 FLORIDA STATUTE CODE & 2000 USFCA 2000.

- CORE MOUNT**
- INSTALLER NOTE:**
 FILL CORE HOLE W/ 1" NON-SHRINK GROUT. ALLOW TO HARDEN AROUND 2X2 POST. SET 4X4 RAILING 4X4 TO SURFACE. REPAIR GROUT.

MADE IN U.S.A.

Swedge Lock
 Aluminum
 Fence and Railing

SWEDGE LOCK ALUMINUM, C
 TEL: 888-754-2301 FAX: 888-316-4626