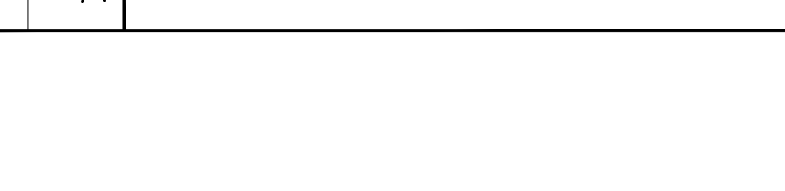
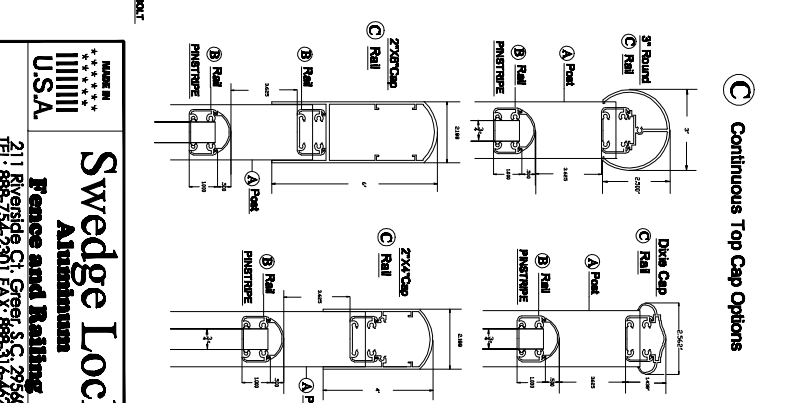
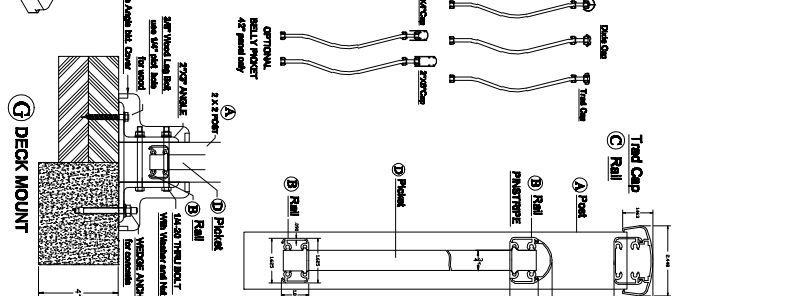
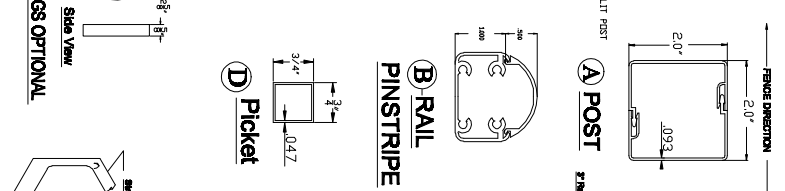
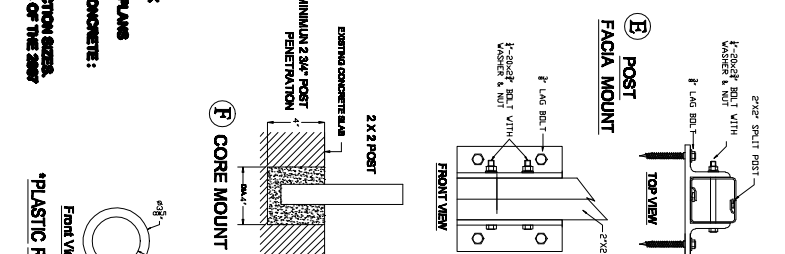


RAIL SECTION (MERIDIAN E)
GENERAL NOTES

1. ALL FENCE COMPONENTS SHALL BE AS MANUFACTURED BY SWEDGE LOCK ALUMINUM IN GENERAL. THE SOUTH CAROLINA INSTALLATION SHALL BE IN STRICT ACCORDANCE WITH MANUFACTURERS PLANS AND SPECIFICATIONS.
2. MATERIAL: EXTERIOR ALUMINUM 6063-T6/6061 T6 ALLOY AND TEMPER CONCRETE: 2,500 PSI PEA ROCK SACRETE OR EQUAL.
3. FINISH: ALL ALUMINUM MEMBER TO RECEIVE AN ANODIZED 50% FINISH.
4. OVERALL DIMENSIONS SHOWN ARE MANUFACTURERS STANDARD PRODUCTION SIZES.
5. SWEDGE LOCK FENCES MEET OR EXCEED ALL APPLICABLE REQUIREMENTS OF THE 2009 FLORIDA BUILDING CODE & 2009 LATEST SUPPLEMENT.



Swedge Lock
Aluminum
Fence and Railing
 211 Riverside Ct. Greer, S.C. 29616
 TEL: 888-754-2301 FAX: 888-312-4026