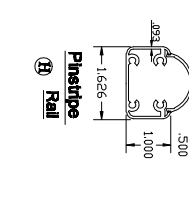
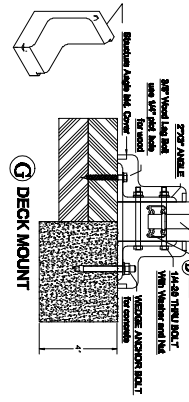
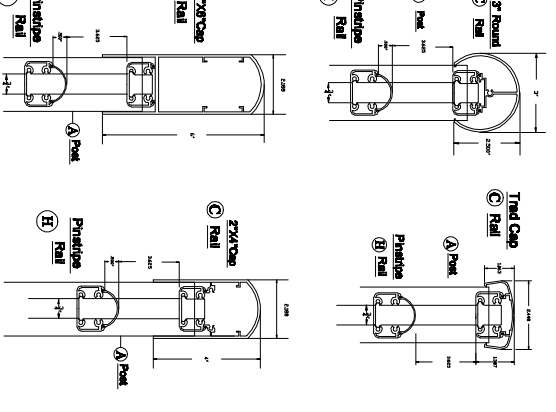
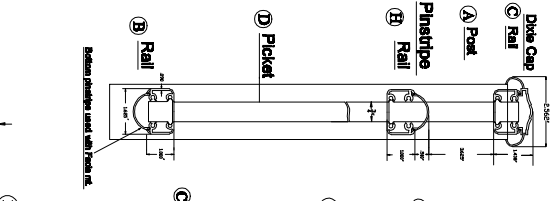
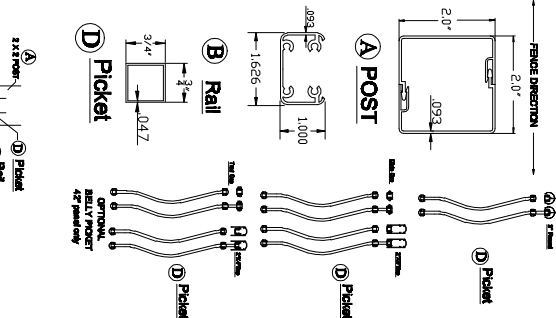
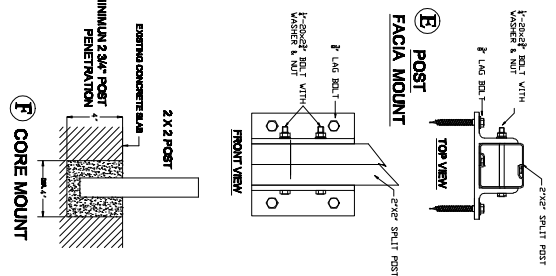


GENERAL NOTES

1. ALL FENCE COMPONENTS SHALL BE AS MANUFACTURED BY SWEDGE LOCK ALUMINUM GREENVILLE SOUTH CAROLINA. INSTALLATION SHALL BE IN STRICT ACCORDANCE WITH MANUFACTURERS PLANS AND SPECIFICATIONS.
2. MATERIALS: EXTRUDED ALUMINUM 6063-T6 80691 T6 ALLOY AND TEMPER CONCRETE: 2,500 PSI PEA ROCK (SAGRETE OR EQUAL)
3. FINISH ALL ALUMINUM MEMBERS TO RECEIVE AN ACRYLIC ESP FINISH.
4. OVERALL DIMENSIONS SHOWN ARE MANUFACTURERS STANDARD PRODUCTION SIZES.
5. SPOKE, PICK FENCES ARE ON EXCEED ALL APPLICABLE REQUIREMENTS OF THE 2007 FLORIDA BUILDING CODE & 2009 LATEST SUPPLEMENT.



MADE IN
GREENVILLE
SOUTH CAROLINA
U.S.A.

Swedge Lock
Aluminums

Fence and Railing

211 Riverside Ct. Greenville, SC 29615
TEL: 863-757-2501 FAX: 863-517-4626