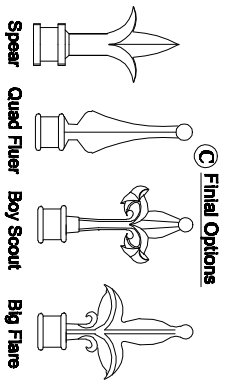
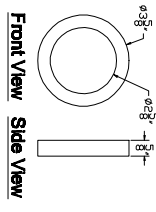
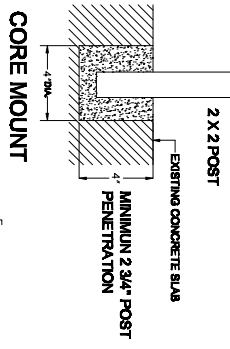
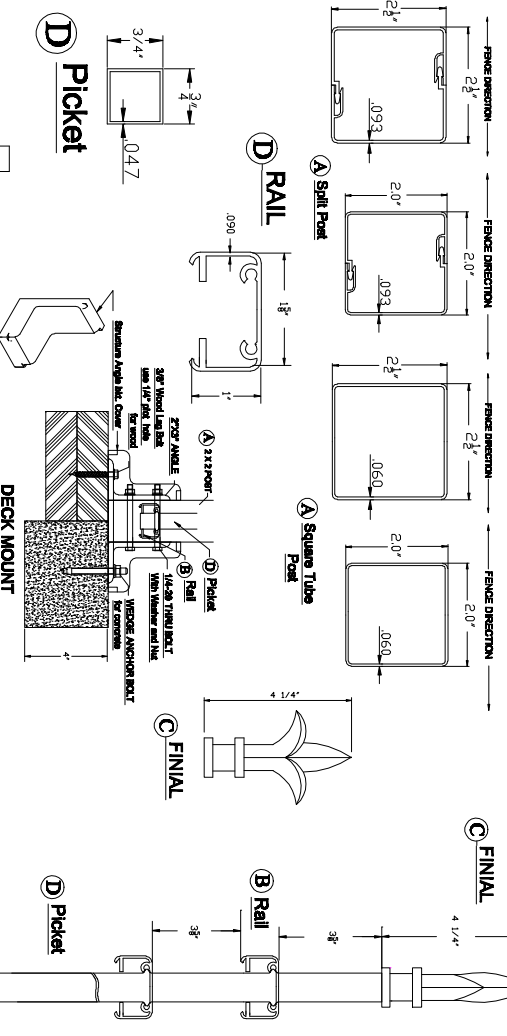


FENCE SECTION (MODEL G)

N.T.S.

GENERAL NOTES

1. ALL FENCE COMPONENTS SHALL BE AS MANUFACTURED BY SWEDGE LOCK ALUMINUM GREENVILLE SOUTH CAROLINA. INSTALLATION SHALL BE IN STRICT ACCORDANCE WITH MANUFACTURERS PLANS AND SPECIFICATIONS.
2. MATERIALS: EXTERIOR ALUMINUM 6063-T5 ANOD 18 TO ALLOY AND TEMPER CONCRETE: 2,500 PSI FEA ROCK SAGRETE OR EQUAL.
3. FINISH ALL ALUMINUM MEMBERS TO RECEIVE AN ANTI-CLIP SSP FINISH.
4. OVERALL DIMENSIONS SHOWN ARE MANUFACTURERS STANDARD PRODUCTION SIZES.
5. SWEDGE LOCK FENCES MEET OR EXCEED ALL APPLICABLE REQUIREMENTS OF THE 2007 FLORIDA BUILDING CODE & 2009 LATEST SUPPLEMENT.



PLASTIC RINGS OPTIONAL

MADE IN U.S.A.

Swedge Lock
Aluminum
Fence and Railing

211 Riverside Ct. Great S.C. 29650
TEL: 888-754-2301 FAX: 888-318-4626

